

COMMODITY: SURFACE MOUNT LED SMD SPECIFICATION

Part No: 1SC5050VGB00CB05

Characters

- § 5.0mm×5.0mm SMT LED , 1.5mm THICKNESS.
- § LOW POWER CONSUMPTION.
- § VIEWING ANGLE 120°.
- § VARIOUS COLORS AND LENS TYPES AVAILABLE.
- § PACKAGE: 1000 PCS/REEL.

ITEM		MATERIALS
Resin(Mold)		Silicone
Lens Color		Water Transparent
Dice	Red	AlGaInP
	Green	InGaN
	Blue	InGaN

Absolute Maximum Ratings (Ta=25°C)

Item	Symbol	Value			Unit
		Red	Green	Blue	
Power Dissipation	PD	120	120	120	mW
DC Forward Current	IF	30	30	30	mA
Pulsed Forward Current	IFP	100※	100 ※	100 ※	mA
Reverse Voltage Operating Temperature	VR	5	5	5	V
	Topr	-40~ +80■			°C
Storage Temperature	Tstg	-40 ~ +100			°C
Soldering Temperature△	Tsol	260for5sec△			°C

※ Duty 1/10 , Pulse Width 0.1ms .

△Soldering time max 10sec.

■please refer to IF-Ta diagram of curves for the temperature during application

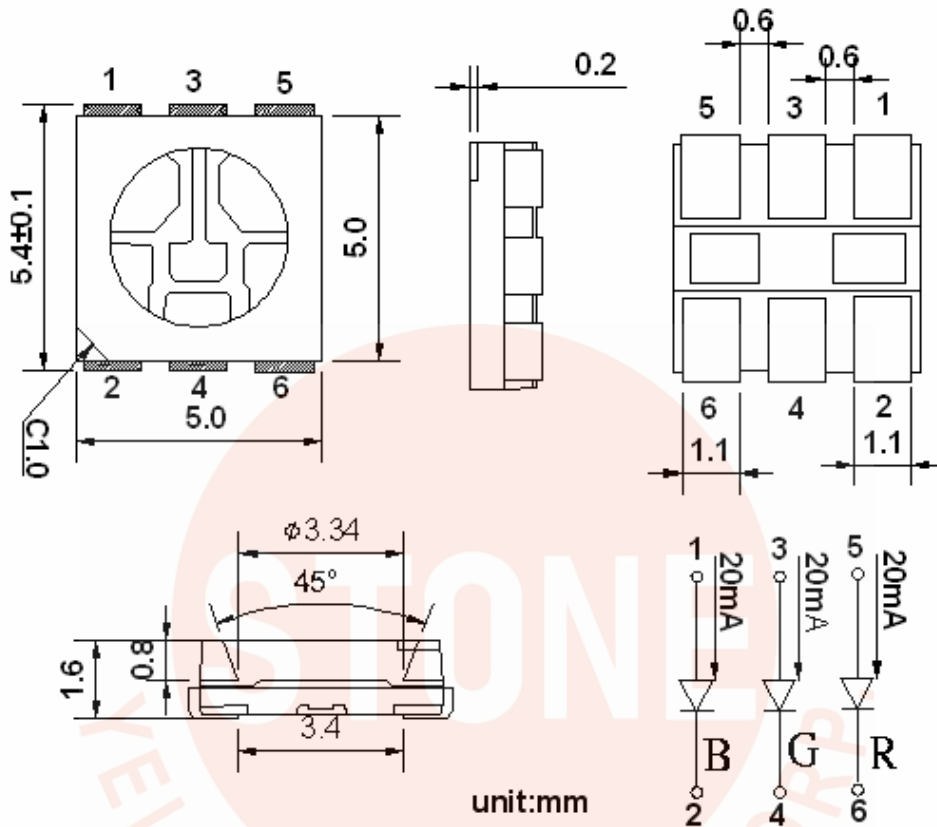
Electrical-Optical Characteristics (Ta=25°C)

Parameter	Symbol		Value			Unit	Test condition
			Min.	Typ.	Max.		
Forward Voltage	V _f	R	1.7	2.0	2.5	V	I_f=20mA
		G	2.8	3.2	3.7	V	I_f=20mA
		B	2.8	3.2	3.7	V	I_f=20mA
Luminous intensity	I _v	R	---	700	---	mcd	I_f=20mA
		G	---	1750	---	mcd	I_f=20mA
		B	---	320	---	mcd	I_f=20mA
Wavelength	λ _d	R	620	---	635	(nm)	I_f=20mA
		G	520	---	535	(nm)	I_f=20mA
		B	463	---	473	(nm)	I_f=20mA
Reverse Current	I _r		---	---	10	μA	V_r=5V
Viewing angle	2θ _{1/2}		---	120	---	Deg	R: I_f=20mA G: I_f=20mA B: I_f=20mA

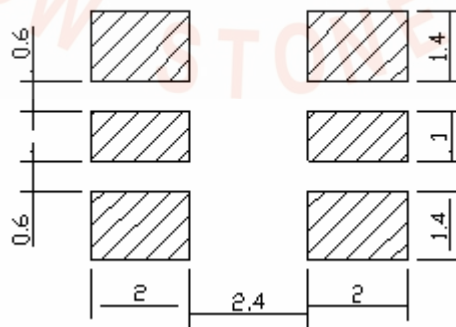
▲ 1.Luminous intensity (I_v) ±10%, Forward Voltage (V_f) ±0.1V, Wavelength(λ_d) ±0.5nm

2.IS standard testing

Outline Dimensions



RECOMMEND PAD LAY OUT



- § All dimensions are in millimeters.
- § Tolerance is ± 0.1 mm unless other specified
- § Specifications are subject to change without notice.

COMMODITY: SURFACE MOUNT CHIP LED SMD SPECIFICATION

DEVICE NUMBER: 1SC5050VGB00CB05

Fig.1 IF-VF(Ta=25°C)

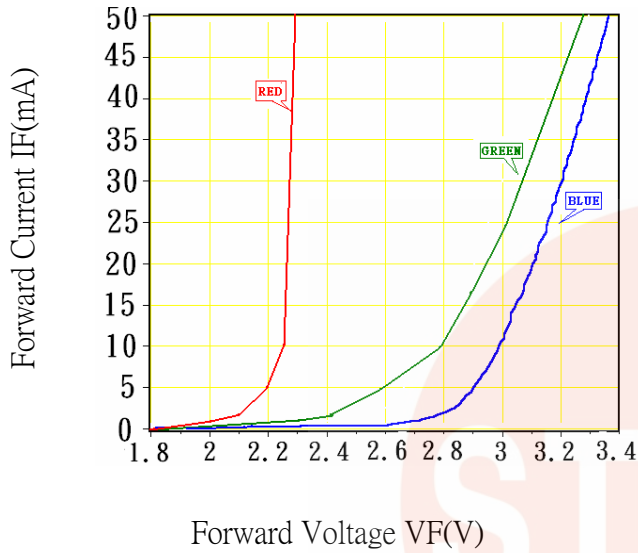


Fig.2 Relative Luminous Intensity-IF (Ta=25°C)

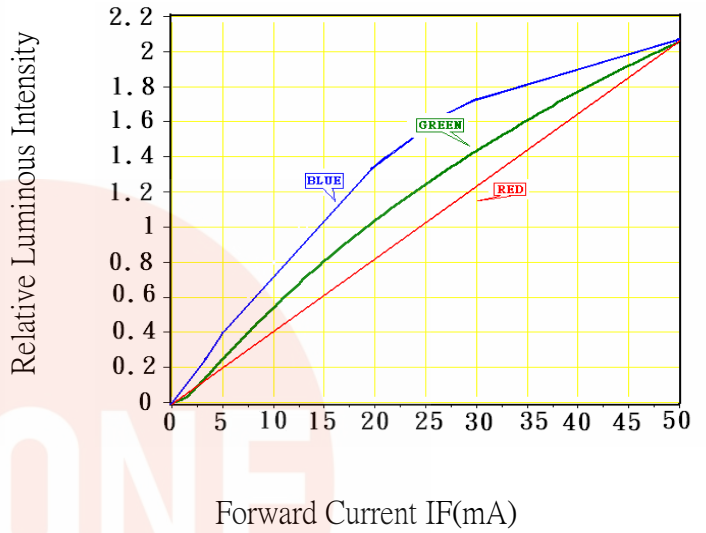


Fig.3 Wavelength Characteristics (Ta=25°C)

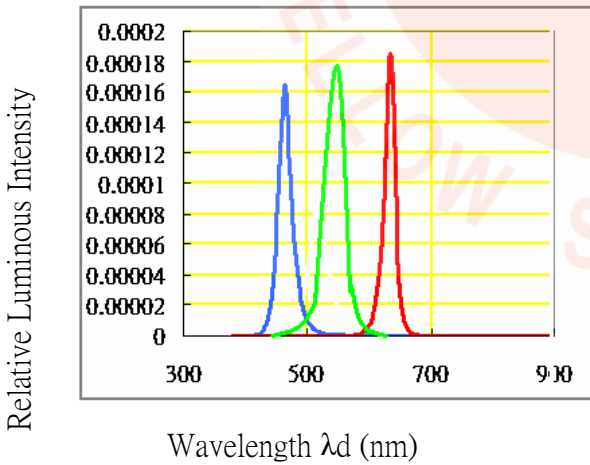


Fig.4 Relative Luminous Intensity-Ta

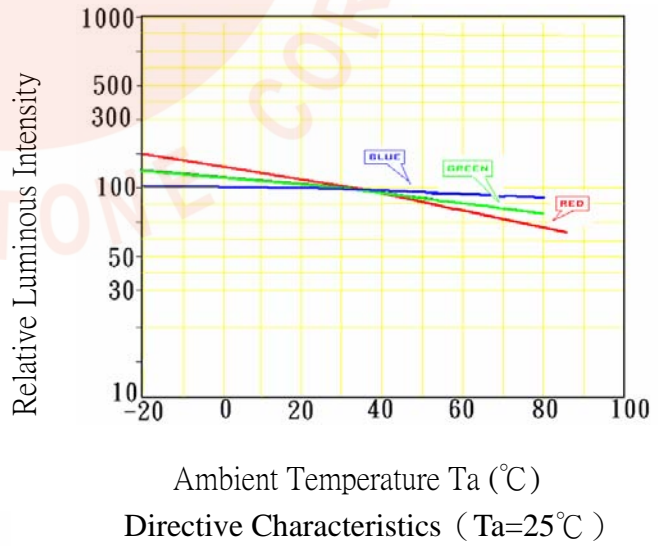
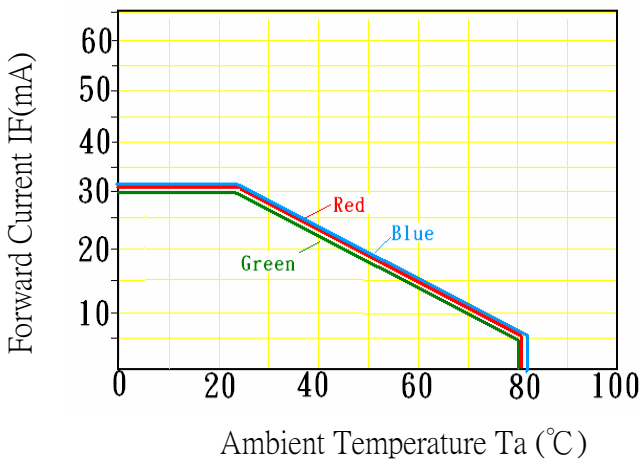
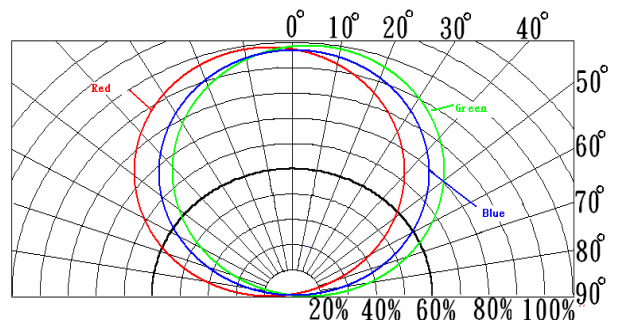


Fig.5 IF-Ta



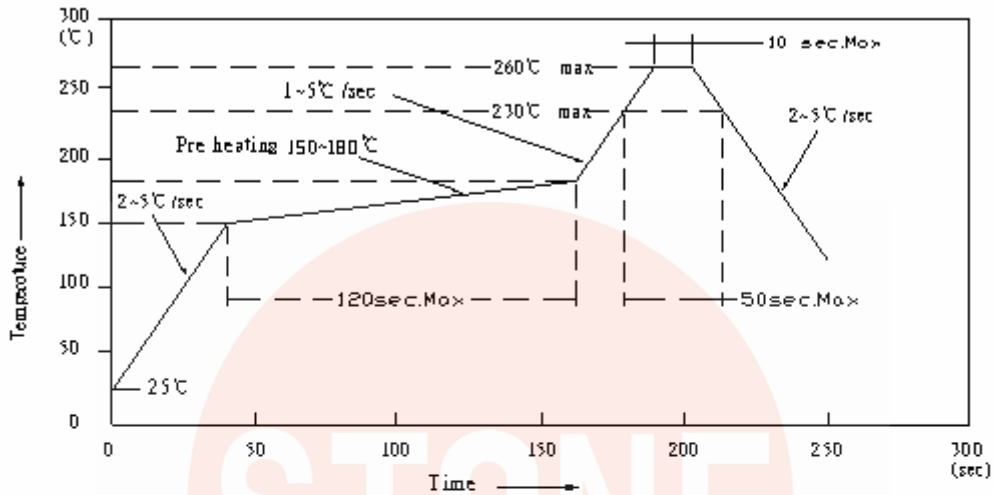
Directive Characteristics (Ta=25°C)



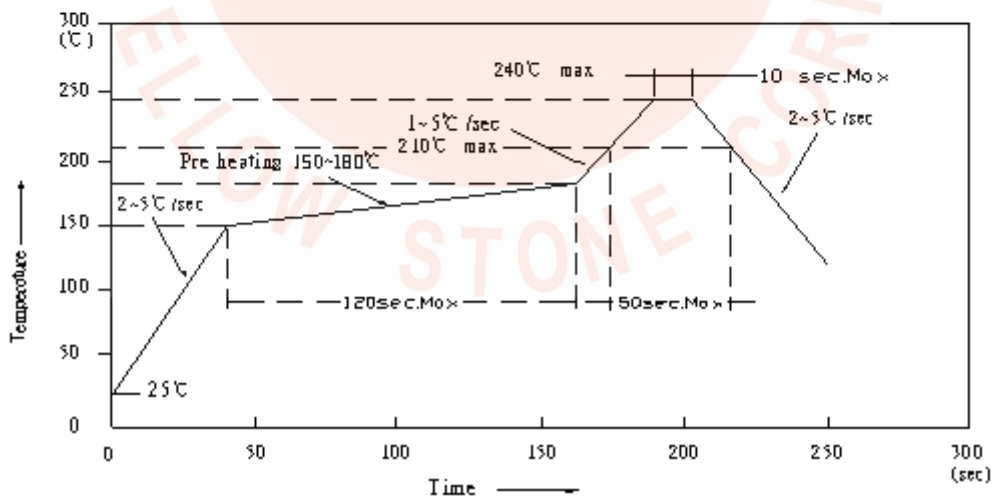
Reflow Profile

■ Reflow Temp/Time

**IR Reflow Soldering Profile
Lead Free Solder**



**IR Reflow Soldering Profile
Lead Solder**

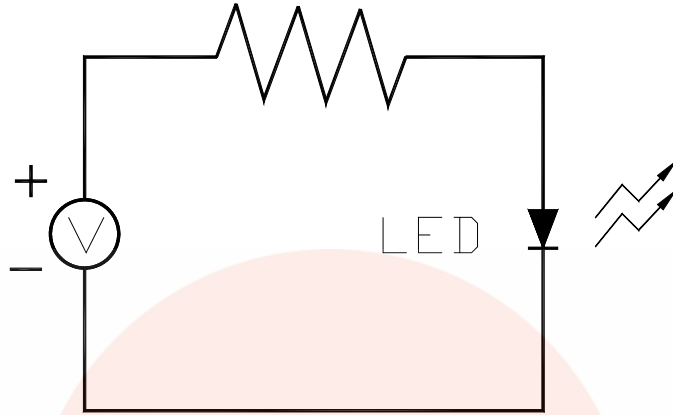


NOTES:

1. We recommend the reflow temperature 240°C (±5°C). the maximum soldering temperature should be limited to 260°C.
2. Don't cause stress to the silicone resin while it is exposed to high temperature.
3. Number of reflow process shall be 1 time.

Test circuit and handling precautions

■ Test circuit



■ Handling precautions

1. Over-current-proof

Customer must apply resistors for protection; otherwise slight voltage shift will cause big current change (Burn out will happen).

2.Storage

2.1 It is recommended to store the products in the following conditions:

Humidity: 60% R.H. Max.

Temperature : 5°C ~30°C (41°F ~86°F)

2.2 Shelf life in sealed bag: 12 month at < 5°C ~30°C and < 60% R.H. after the package is Opened, the products should be used within a week or they should be keeping to stored at $\leq 20\%$ R.H. with zip-lock sealed.

3.Baking

It is recommended to baking before soldering when the pack is unsealed after 24hrs. The conditions are as followings:

3.1 70±3°C x(12~24hrs) and < 5%RH, taped reel type

3.2 100±3°C x(45min~1hr), bulk type

3.3 130±3°C x(15~30min), bulk type

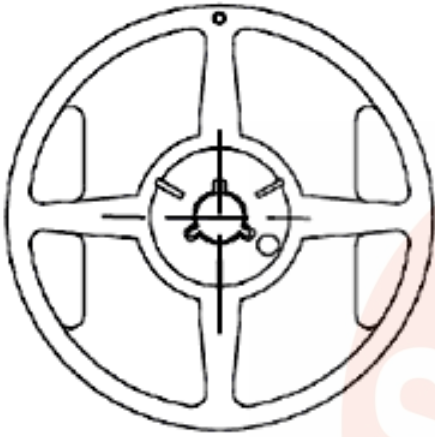


Test items and results of reliability

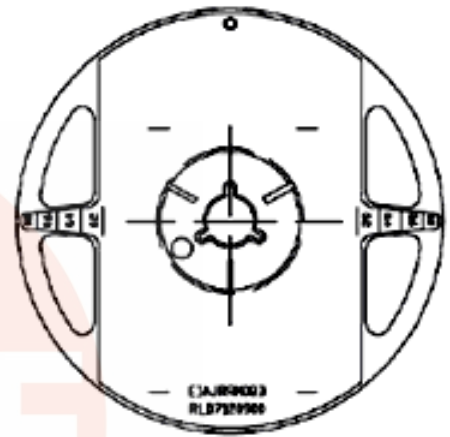
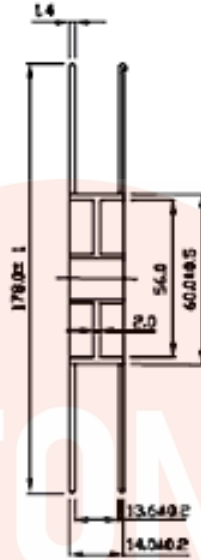
Type	Test Item	Test Conditions	Note	Number of Damaged
Environmental Sequence	Temperature Cycle	-45°C 30min ↑ ↓ 20 min 105°C 30min	100 cycle	0/22
	Thermal Shock	-10°C 15min ↑ ↓ 5sec 100°C 15min	100 cycle	0/22
	High Humidity Heat Cycle	30°C ↔ 65°C 90%RH 24hrs/1cycle	10 cycle	0/22
	High Temperature Storage	T _a =100°C	1000 hrs	0/22
	Humidity Heat Storage	T _a =85°C RH=85%	1000 hrs	0/22
	Low Temperature Storage	T _a =-40°C	1000 hrs	0/22
Operation Sequence	Life Test	T _a =25°C I _F =20mA	1000 hrs	0/22
	High Humidity Heat Life Test	85°C RH=85% I _F =10mA	500 hrs	0/22
	Low Temperature Life Test	T _a =-20°C I _F =20mA	1000 hrs	0/22

5050 Full-Color High Performance SMD Top LEDs Packaging Specifications

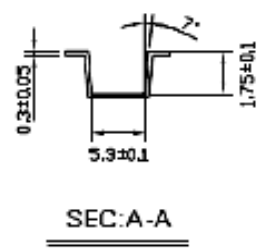
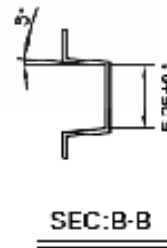
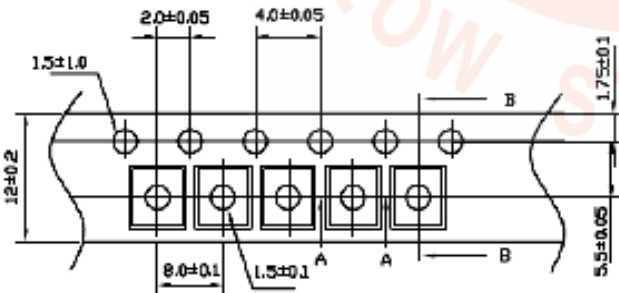
- Feeding Direction



- Dimensions of Reel (Unit: mm)



- Dimensions of Tape (Unit: mm)

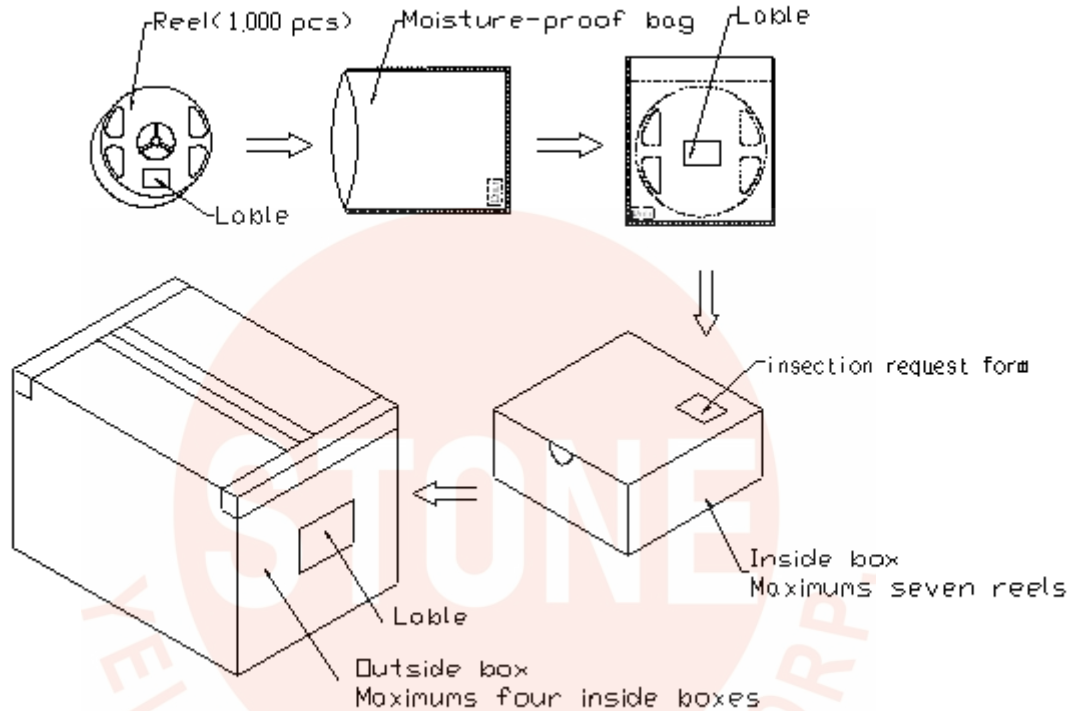


NOTES

1. Empty component pockets are sealed with top cover tape;
2. The maximum number of missing smds is two;
3. The cathode is oriented towards the tape sprocket hole in accordance with ANSI/EIA RS-481 specifications;
4. 1,000pcs/Reel

5050 Full-Color High Performance SMD Top LEDs Packaging Specifications

- Packaging specifications



NOTES:

Reeled products (The most numbers of products are 1,000pcs) packed in a seal off moisture-proof bag along with a desiccant one by one, Seven moisture-proof bag of maximums (total maximum number of products are 4,000pcs) packed in an inside box (size: about 238mm x about 194mm x about 102mm) and four inside boxes of maximums are put in the outside box (size: about 410mm x about 254mm x about 229mm) Together with buffer material, and it is packed. (Part No., Lot No., quantity should appear on the label on the moisture-proof bag, part No. And quantity should appear on the insertion request form on the cardboard box.) .

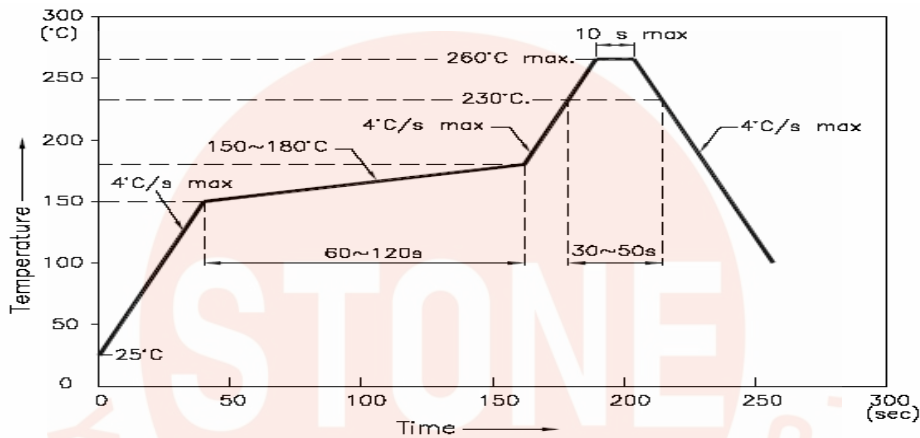
LED Usage and Handling Instructions

No.1、soldering

A、It is not better to be manual soldering

B、Reflow soldering：

1、Soldering according to the following temperature chart is highly recommended



2、Soldering paste

Use soldering paste with the melting point at 230°C is recommended

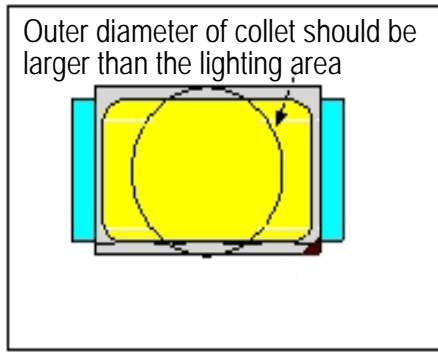
No.2、Collet

1、Abnormal situation caused by improper setting of collet

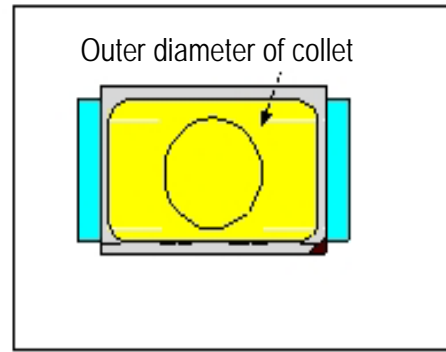
To choose the right collet is the key issue in improving the product's quality. LED is different from other electronic components, which is not only about electrical output but also for optical output. This characteristic made LED more fragile in the process of SMT. If the collet's lowering down height is not well set, it will bring damage to the gold wire at the time of collet's picking up and loading which will cause the LED fail to light up, light up now and then or other quality problems

2、How to choose the collet

During SMT, please choose the collet that has larger outer diameter than the lighting area of lens, in case that improper position of collet will damage the gold wire inside the LED. Different collets fit for different products, please refer to the following pictures cross out:.



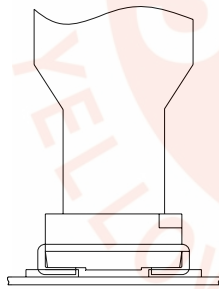
Picture 1 (✓)



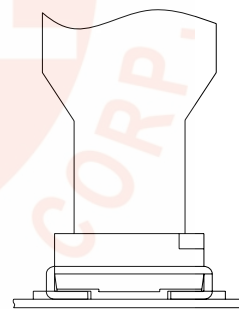
Picture 2 (✗)

3、How to set the height of collet

The reason why for top view SMD, the height of collet before it presses downward will directly affect the quality of products during SMT is that if the collet go down too much, it will press lens and cause the distortion or breaking of gold wire. The setting of collet position should follow the pictures belowed.



Picture 3 (✓)



Picture 4 (✗)

No.3、Other points for attention

- A、No pressure should be exerted to the epoxy shell of the SMD under high temperature.
- B、Do not scratch or wipe the lens since the lens and gold wire inside are rather fragile and cross out easy to break.
- C、LED should be used as soon as possible when being taken out of the original package, and should be stored in anti-moisture and anti-ESD package.

No.4、This usage and handling instruction is only for your reference.