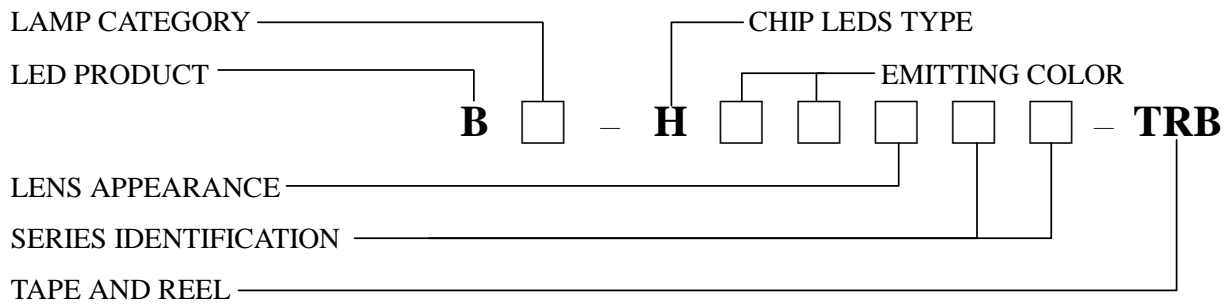


SELECTION GUIDE TO CHIP LED LAMPS

PART NO. SYSTEM



LAMP CATEGORY:

L : Standard Lamp B : Blinking Lamp R : Resistor Lamp Z : Zener type

SERIES IDENTIFICATION:

3 : 1206 Super Wide(2.0mm) Type	3A : 1206 Inner Lens Type
4A : Right Angle Lens Type/2.0mm Height	4C : Right Angle Lens Type/1.7mm Height
4E : Right Angle Lens Type/1.0mm Height	5A : 0805 Flat Top Type
6A : 0603 Super Thin(0.6mm) Type	6D : 0603 Flat Top Type
6G : 0603 Super Thin(0.4mm) Type	3B : Bi-Color Type
3 : 1206 Bi-Color Type	6H : 0605 Super Thin Bi-Color Type
4B : Right Angle Lens Bi-Color Type	3F : Multi Color Type
3T : Multi Color Type	4S : Multi Color Type
	6T : 0605 Super Thin Multi Color Type

LENS APPEARANCE:

1 : Color Diffused 2 : White Diffused 3 : Water Clear A : Black

PACKAGE TYPE:

H : CHIP LED X : Axial

EMITTING COLOR:

A _X : GaAsP/GaP 610nm/Amber (7)	B5 : AlInGaN 470nm/Super Blue	D _X : GaAlAs/GaAs 660nm/DH Red
E _X : GaAsP/GaP 640nm/Orange (4)	F _X : GaAlAs/GaAs 660nm/DDH Red	G _X : GaP/GaP 568nm/Yellow Green(2)
G4 : InGaN 505nm/Bluish Green	G6 : InGaN 525nm/Green	H _X : GaP/GaP 700nm/Bright Red(5)
J _X : AlGaInP620nm/Super Orange	K _X : AlGaInP595nm/Super Yellow	R _X : GaAsP/GaAs 655nm/Red(1)
S _X : GaAlAs/GaAs660nm/SH Red (6)	W _X : GaP/GaP 555nm/Pure Green (9)	X _X : GaP/GaP 568nm/Hi-Eff Green
Y _X : GaAsP/GaP 583nm/Yellow (3)		