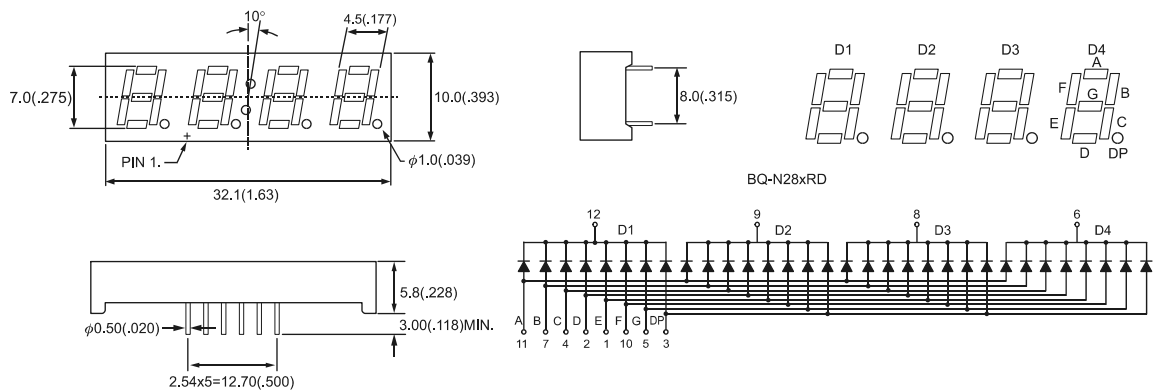


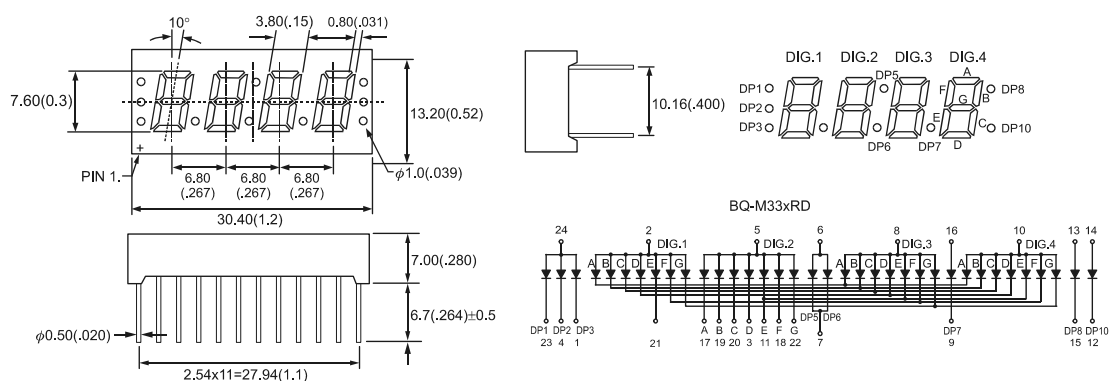
FOUR DIGIT LED DISPLAYS

Digit Size	Part No.		Chip		Absolute Maximum Ratings				Electro-optical Data (At 10mA)			Drawing No.
	Common Anode	Common Cathode	Material/Emitted Color	Peak Wave Length λ P(nm)	$\Delta\lambda$ (nm)	Pd (mw)	If (mA)	Ifp (mA)	Vf (v)		Iv. Typ. Per. Seg. (mcd)	
									Typ.	Max.		
0.28" Four-Digit	BQ-M285RD	BQ-N285RD	GaP/Bright Red	700	90	40	15	50	2.2	2.5	1.0	FD-01
	BQ-M282RD	BQ-N282RD	GaP/ Green	568	30	80	30	150	2.2	2.5	2.5	
	BQ-M283RD	BQ-N283RD	GaAsP/GaP/Yellow	585	35	80	30	150	2.1	2.5	2.0	
	BQ-M284RD	BQ-N284RD	GaAsP/GaP/Hi-Eff.Red	635	45	80	30	150	2.0	2.5	2.5	
	BQ-M286RD	BQ-N286RD	GaAlAs/SH Super Red	660	20	80	30	150	1.7	2.5	4.5	
	BQ-M28DRD	BQ-N28DRD	GaAlAs/DH Super Red	660	20	80	30	150	1.7	2.5	5.5	
0.33" Four-Digit	BQ-M335RD	BQ-N335RD	GaP/Bright Red	700	90	40	15	50	2.2	2.5	1.2	FD-02
	BQ-M332RD	BQ-N332RD	GaP/ Green	568	30	80	30	150	2.2	2.5	3.0	
	BQ-M333RD	BQ-N333RD	GaAsP/GaP/Yellow	585	35	80	30	150	2.1	2.5	2.0	
	BQ-M334RD	BQ-N334RD	GaAsP/GaP/Hi-Eff.Red	635	45	80	30	150	2.0	2.5	3.0	
	BQ-M336RD	BQ-N336RD	GaAlAs/SH Super Red	660	20	80	30	150	1.7	2.5	6.0	
	BQ-M33DRD	BQ-N33DRD	GaAlAs/DH Super Red	660	20	80	30	150	1.7	2.5	7.0	

FD-01 $\overset{M}{BQ-N} 28xRD$



FD-02 $\overset{M}{BQ-N} 33xRD$



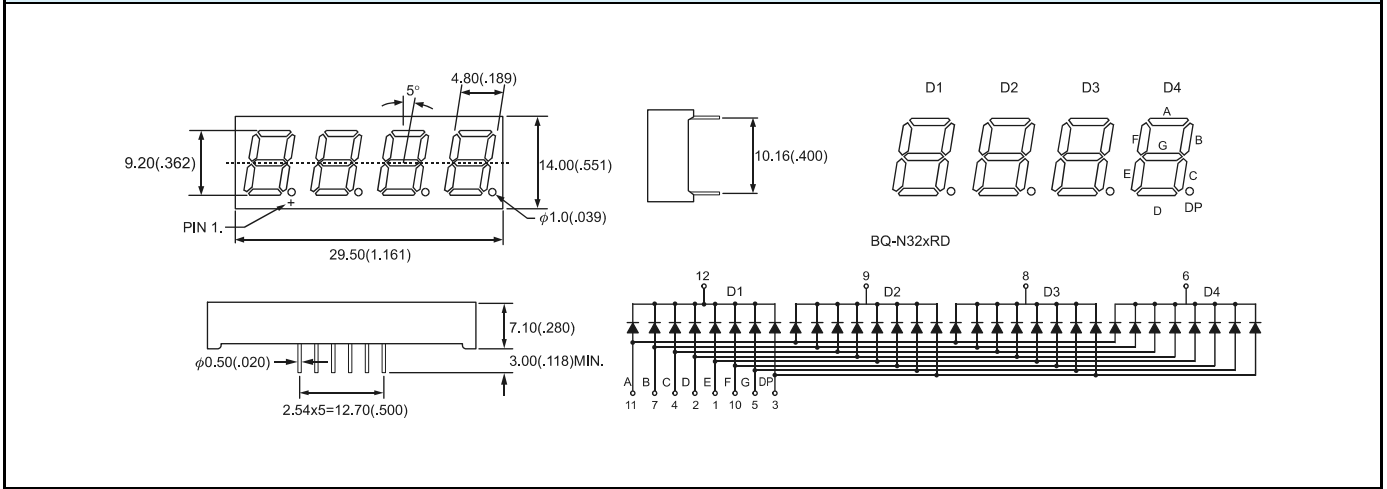
Notes: 1. All dimensions are in millimeters (inches).
2. Tolerance is $\pm 0.25\text{mm}$ ($.010''$)

3. Specifications are subject to change without notice.
4. NP: No Pin. 5. NC: No Connect

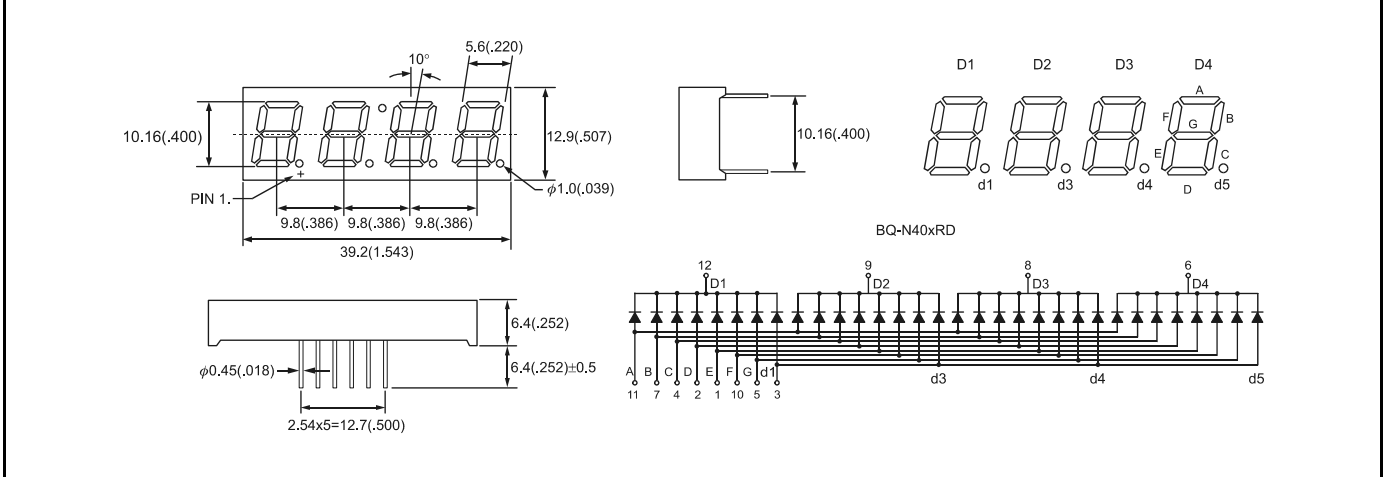
FOUR DIGIT LED DISPLAYS

Digit Size	Part No.		Chip		Absolute Maximum Ratings				Electro-optical Data (At 10mA)			Drawing No.
	Common Anode	Common Cathode	Material/Emitted Color	Peak Wave Length λ P(nm)	$\Delta\lambda$ (nm)	Pd (mw)	If (mA)	Ifp (mA)	Vf (v)		Iv. Typ. Per. Seg. (mcd)	
									Typ.	Max.		
0.36" Four-Digit	BQ-M325RD	BQ-N325RD	GaP/Bright Red	700	90	40	15	50	2.2	2.5	1.2	FD-03
	BQ-M322RD	BQ-N322RD	GaP/ Green	568	30	80	30	150	2.2	2.5	3.0	
	BQ-M323RD	BQ-N323RD	GaAsP/GaP/Yellow	585	35	80	30	150	2.1	2.5	2.0	
	BQ-M324RD	BQ-N324RD	GaAsP/GaP/Hi-Eff.Red	635	45	80	30	150	2.0	2.5	3.0	
	BQ-M326RD	BQ-N326RD	GaAlAs/SH Super Red	660	20	80	30	150	1.7	2.5	6.0	
	BQ-M32DRD	BQ-N32DRD	GaAlAs/DH Super Red	660	20	80	30	150	1.7	2.5	7.0	
0.40" Four-Digit	BQ-M405RD	BQ-N405RD	GaP/Bright Red	700	90	40	15	50	2.2	2.5	1.2	FD-04
	BQ-M402RD	BQ-N402RD	GaP/ Green	568	30	80	30	150	2.2	2.5	3.0	
	BQ-M403RD	BQ-N403RD	GaAsP/GaP/Yellow	585	35	80	30	150	2.1	2.5	2.0	
	BQ-M404RD	BQ-N404RD	GaAsP/GaP/Hi-Eff.Red	635	45	80	30	150	2.0	2.5	3.0	
	BQ-M406RD	BQ-N406RD	GaAlAs/SH Super Red	660	20	80	30	150	1.7	2.5	6.0	
	BQ-M40DRD	BQ-N40DRD	GaAlAs/DH Super Red	660	20	80	30	150	1.7	2.5	7.0	

FD-03 BQ-N^M32xRD



FD-04 BQ-N^M40xRD



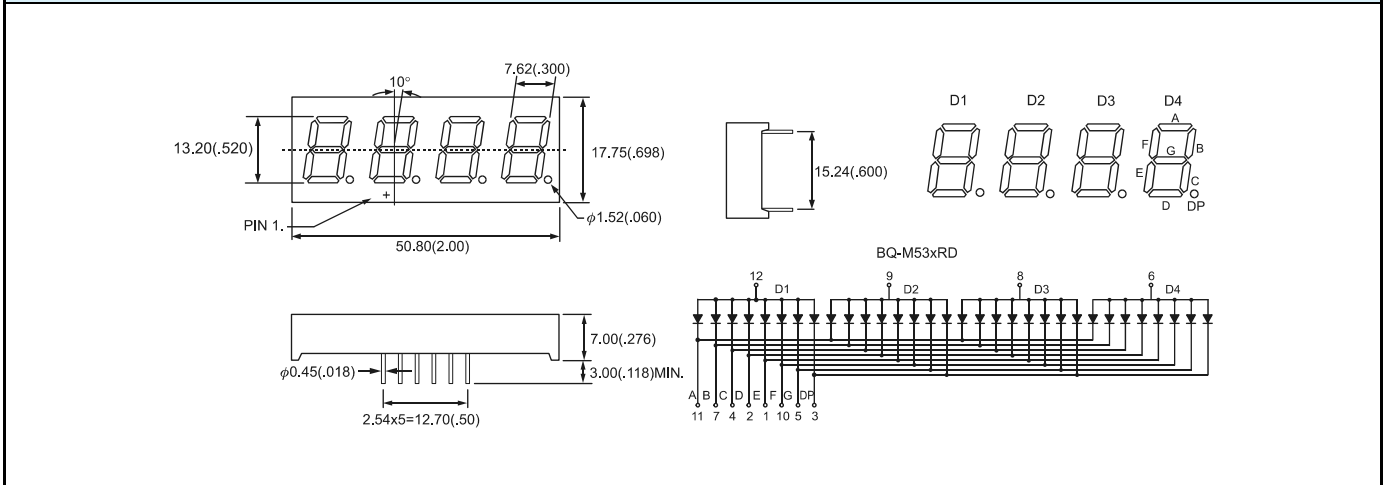
Notes: 1. All dimensions are in millimeters (inches).
2. Tolerance is $\pm 0.25\text{mm}$ (.010")

3. Specifications are subject to change without notice.
4. NP: No Pin. 5. NC: No Connect

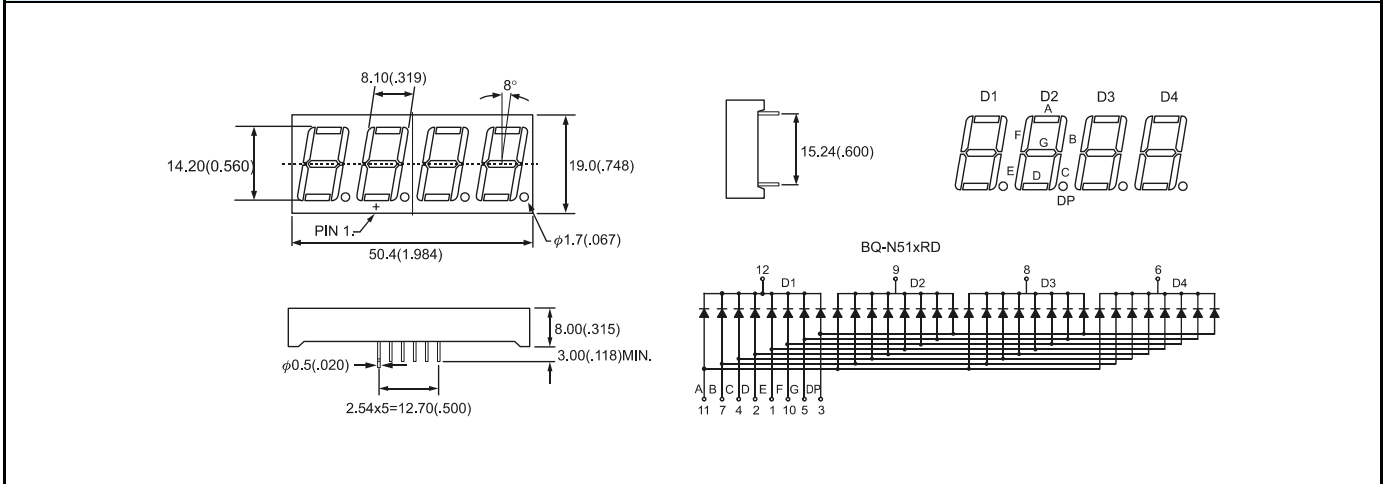
FOUR DIGIT LED DISPLAYS

Digit Size	Part No.		Chip		Absolute Maximum Ratings				Electro-optical Data (At 10mA)			Drawing No.
	Common Anode	Common Cathode	Material/Emitted Color	Peak Wave Length λ_p (nm)	$\Delta\lambda$ (nm)	Pd (mw)	If (mA)	Ifp (mA)	Vf (v)		Iv. Typ. Per. Seg. (mcd)	
									Typ.	Max.		
0.52" Four-Digit	BQ-M535RD	BQ-N535RD	GaP/Bright Red	700	90	40	15	50	2.2	2.5	1.5	FD-05
	BQ-M532RD	BQ-N532RD	GaP/ Green	568	30	80	30	150	2.2	2.5	3.5	
	BQ-M533RD	BQ-N533RD	GaAsP/GaP/Yellow	585	35	80	30	150	2.1	2.5	2.5	
	BQ-M534RD	BQ-N534RD	GaAsP/GaP/Hi-Eff.Red	635	45	80	30	150	2.0	2.5	3.5	
	BQ-M536RD	BQ-N536RD	GaAlAs/SH Super Red	660	20	80	30	150	1.7	2.5	6.5	
	BQ-M53DRD	BQ-N53DRD	GaAlAs/DH Super Red	660	20	80	30	150	1.7	2.5	7.5	
0.56" Four-Digit	BQ-M515RD	BQ-N515RD	GaP/Bright Red	700	90	40	15	50	2.2	2.5	1.5	FD-06
	BQ-M512RD	BQ-N512RD	GaP/ Green	568	30	80	30	150	2.2	2.5	3.5	
	BQ-M513RD	BQ-N513RD	GaAsP/GaP/Yellow	585	35	80	30	150	2.1	2.5	2.5	
	BQ-M514RD	BQ-N514RD	GaAsP/GaP/Hi-Eff.Red	635	45	80	30	150	2.0	2.5	3.5	
	BQ-M516RD	BQ-N516RD	GaAlAs/SH Super Red	660	20	80	30	150	1.7	2.5	6.5	
	BQ-M51DRD	BQ-N51DRD	GaAlAs/DH Super Red	660	20	80	30	150	1.7	2.5	7.5	

FD-05 M BQ-N 53xRD



FD-06 M BQ-N 51xRD



Notes: 1. All dimensions are in millimeters (inches).
2. Tolerance is ± 0.25 mm (.010")

3. Specifications are subject to change without notice.
4. NP: No Pin. 5. NC: No Connect