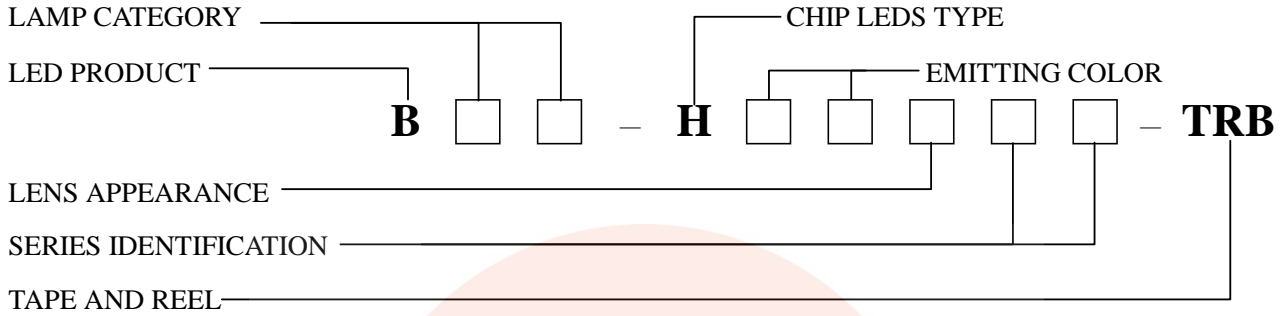


SELECTION GUIDE TO INFRARED SERIES

PART NO. SYSTEM

- INFRARED EMITTING DIODES
- PHOTO TRANSISTORS
- PHOTO DIODES



LAMP CATEGORY:

IR : Infrared Emitting Diodes

PT : Phototransistors

PD : Photodiodes

SERIES IDENTIFICATION:

Lx : GaAs/GaAs940nm

Mx : GaAsAl/GaAs940nm

Nx : GaAlAs880nm

Ox : GaAlAs/GaAlAs850nm

Px : Silicon Phototransistors

Qx : Silicon Photodiodes

TYPICAL ELECTIEICAL-OPTICAL CHARACTERISTICS CURVES

Infrared Emitting Diodes Series :

Fig.3 FORWARD CURRENT VS. FORWARD VOLTAGE

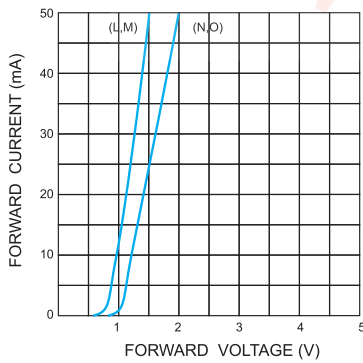


Fig.4 RELATIVE LUMINOUS INTENSITY VS. AMBIENT TEMPERATURE

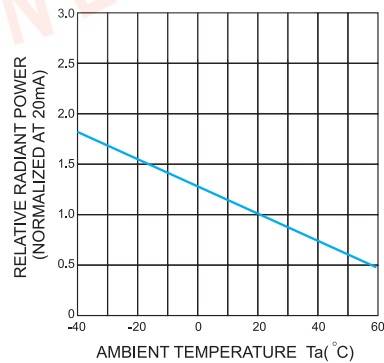


Fig.5 RELATIVE LUMINOUS INTENSITY VS. FORWARD CURRENT

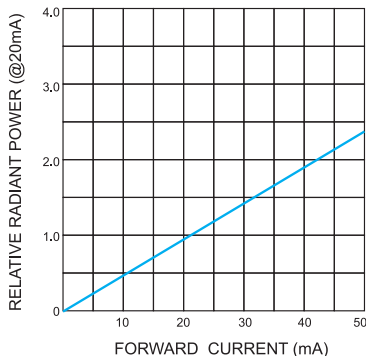
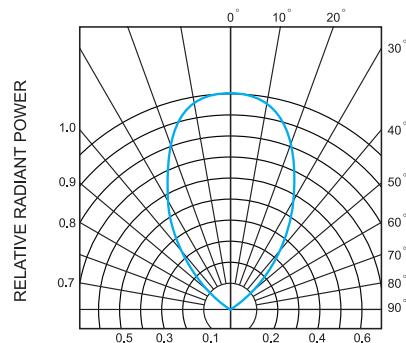


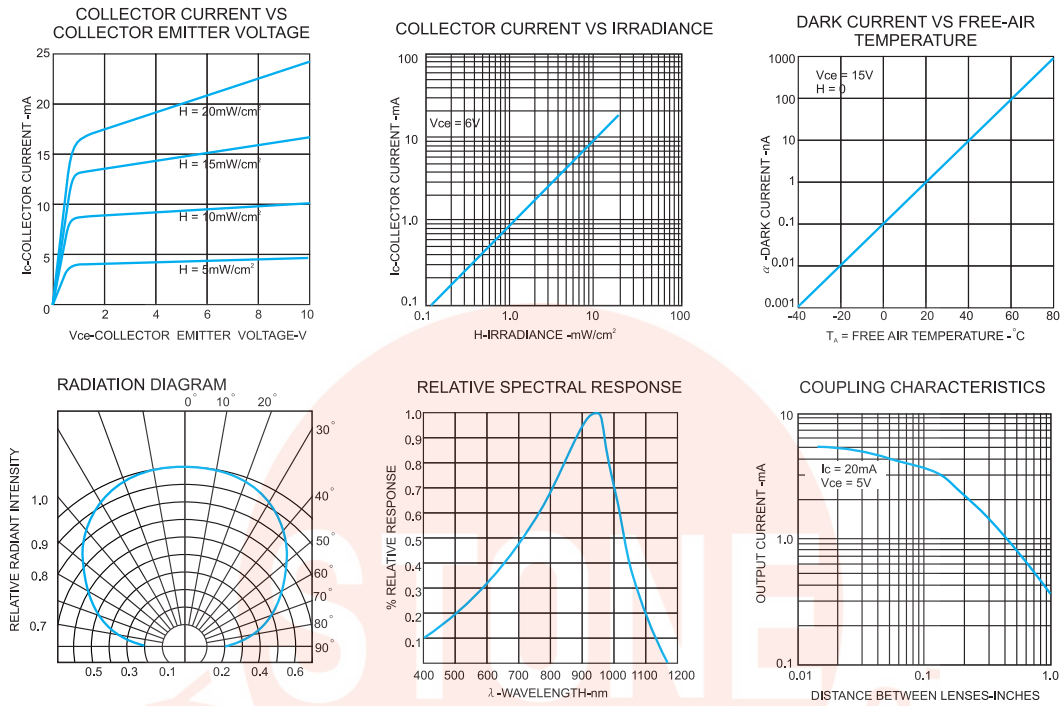
Fig.6 RADIATION DIAGRAM



SELECTION GUIDE TO INFRARED SERIES

TYPICAL ELECTIEICAL-OPTICAL CHARACTERISTICS CURVES

Photo transistors Series:



TYPICAL ELECTIEICAL-OPTICAL CHARACTERISTICS CURVES

Photo diodes Series

