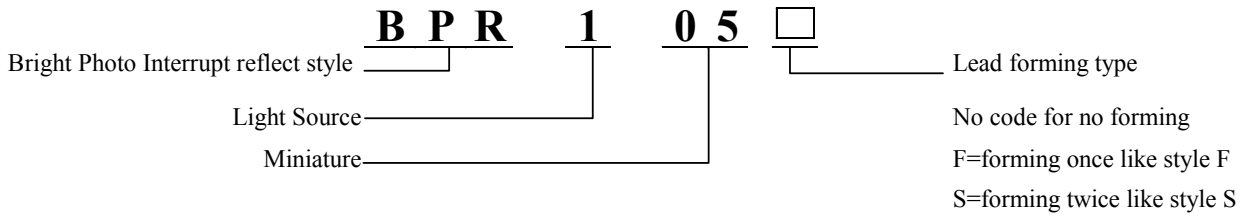
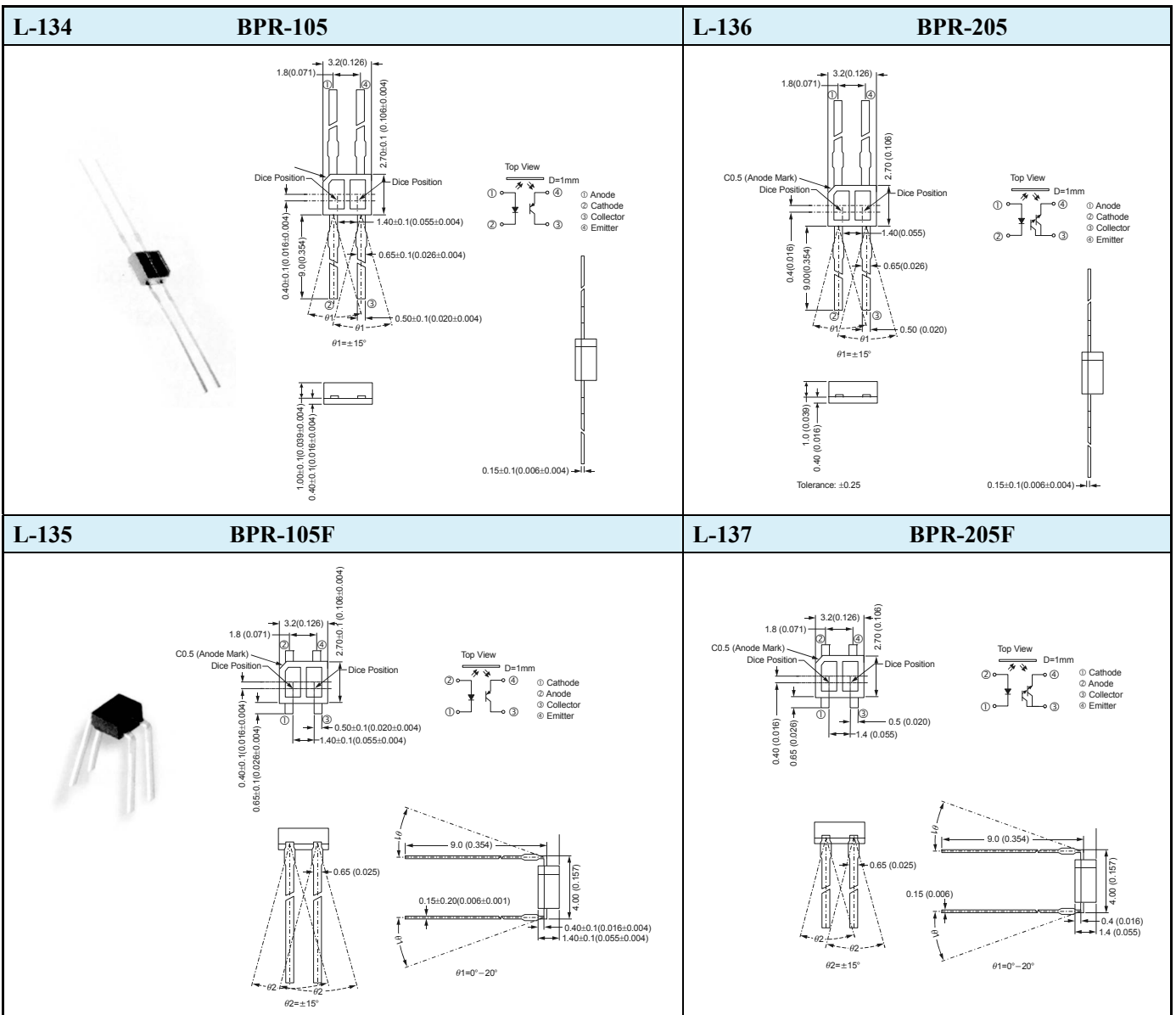


PHOTO INTERRUPTERS-REFLECTIVE TYPE

PART NO. SYSTEM



Part No.	Package (mm[Inch])	V_F @ $I_F=20mA$	I_R @ $V_R=5V$	I_D @ $V_{CE}=10V$	$V_{CE(sat)}$ @ $I_C=0.25mA$ $I_F=20mA$	I_L @ $V_{CE}=5V$ $I_F=10mA$ $D=1mm$	Tr/Tf @ $I_{FP}=20mA$ $V_{CE}=5V$ $R_L=1K$	Drawing NO.
BPR-105		Max. 1.5V	Max. 100uA	Max. 200nA	Max. 0.4V	Min. 80uA	Typ. 20/20	L-134
BPR-105F		Max. 1.5V	Max. 100uA	Max. 200nA	Max. 0.4V	Min. 80uA	Typ. 20/20	L-135
BPR-205		Max. 1.5V	Max. 100uA	Max. 1uA	$I_c=0.9mA$ $I_f=5.0mA$ Max: 1.0V	Min. 160uA	Typ. 20/20	L-136
BPR-205F		Max. 1.5V	Max. 100uA	Max. 1uA	$I_c=0.9mA$ $I_f=5.0mA$ Max: 1.0V	Min. 160uA	Typ. 20/20	L-137



Notes: 1. Tolerance is ±0.25mm (.010")