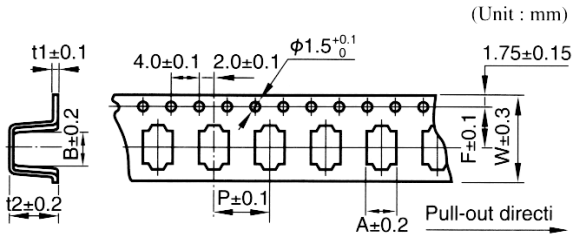


# TAPING SPECIFICATIONS FOR CHIP TYPE

## ■ Taping

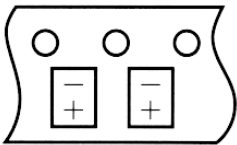
### ● Carrier tape dimension (taping polarity R)



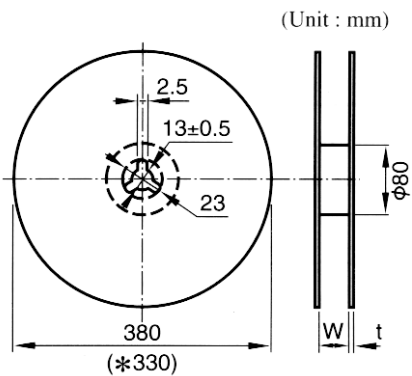
Unit : mm

Outside Size ø D×L	W	A	B	P	t2	F	t1
3×5.3	12	3.4	3.4	8.0	5.9	5.5	0.4
4×4.5	12	4.7	4.7	8.0	4.8	5.5	0.4
4×5.3	12	4.7	4.7	8.0	5.8	5.5	0.4
4×5.7, 5.8	12	4.7	4.7	8.0	6.2	5.5	0.4
5×4.5	12	5.7	5.7	12	4.8	5.5	0.4
5×5.3	12	5.7	5.7	12	5.8	5.5	0.4
5×5.7, 5.8	12	5.7	5.7	12	6.2	5.5	0.4
6.3×4.5	16	7.0	7.0	12	4.8	7.5	0.4
6.3×5.3	16	7.0	7.0	12	5.8	7.5	0.4
6.3×5.7, 5.8	16	7.0	7.0	12	6.2	7.5	0.4
6.3×7.7	16	7.0	7.0	12	8.3	7.5	0.4
8×6.5	16	8.7	8.7	12	6.8	7.5	0.4
8×6.7	24	8.7	8.7	12	7.2	11.5	0.4
8×10	24	8.7	8.7	16	11	11.5	0.4
8×10.5	24	8.7	8.7	16	11.5	11.5	0.4
10×7.7	24	10.7	10.7	16	8.2	11.5	0.4
10×10	24	10.7	10.7	16	11	11.5	0.4
10×10.5	24	10.7	10.7	16	11.5	11.5	0.4

### ● Taping polarity



### ● Reel dimension



Unit : mm

Outside Size ø D×L	Reel dimension	
	W	t
3, 4	14	3
5	14	3
6.3	18	3
8×6.5	18	3
8×6.7	26	3
8, 10	26	3

### ● Packing quantity (Reel)

Unit : mm

Outside Size ø D×L	Quantity (PCS.)
3, 4	2000
5, 6.3	1000
8×6.5	1000
8×6.7	1000
8, 10	500