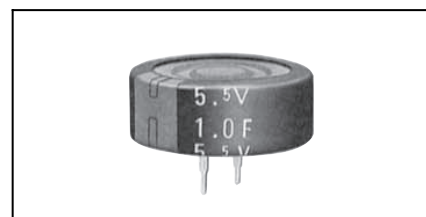


## 5.5V Standard Capacitor Series DB

GREEN  
CAP

70°C

- Small-sized, large capacity, excellent voltage holding.
- For all ratings, uniform 5mm pitch of terminal spacing.
- Wider temperature range (-25 to +70°C) than battery.
- $\phi 21.5 \times 7.5$  size can encase up to 1.5F.
- Ideal for backing up of CMOS's, IC's, microcomputers, RAM's, RTC's and the like used in Video's, tuners, TV sets, telephone sets and others.



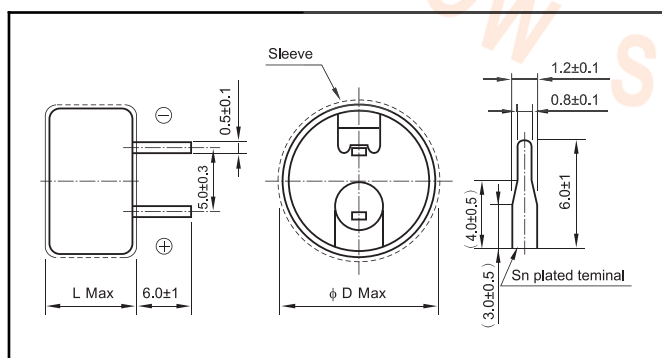
Marking color : White print on an indigo sleeve

### ■ SPECIFICATIONS

Item	Performance									
Category Temperature Range	-25°C~+70°C									
Tolerance at rated capacitance	-20%~+80%									
Internal resistance at 1 kHz	Rated capacitance (F)	0.047	0.1	0.22	0.33	0.47	0.47	1.0	1.5	
	Internal resistance ( $\Omega$ )	120	75	75	75	75 ( $\phi 13.5$ )	30 ( $\phi 21.5$ )	30	30	
Characteristics at high and low temperature	Percentage of capacitance change					Within $\pm 30\%$ of the value at 20°C				
	Internal resistance					Less than five times of the value at 20°C				
Endurance (70°C)	Test time					1000 hours				
	Percentage of capacitance change					Within $\pm 30\%$ of the initial measured value				
	Internal resistance					Within four times of the initial specified value				
Shelf life (70°C)	Test time : 1000 hours; Same as endurance.									
Applicable standards	Conforms to JIS C5160-1 2009 (IEC 62391-1 2006)									

### ■ OUTLINE DRAWING

Unit : mm



### ■ STANDARD RATINGS

Max. operating voltage (V)	Rated capacitance (F)	ELNA Parts No.	$\phi D \times L$ (mm)
5.5	0.047	DB-5R5D473T	13.5×7.5
5.5	0.1	DB-5R5D104T	13.5×7.5
5.5	0.22	DB-5R5D224T	13.5×7.5
5.5	0.33	DB-5R5D334T	13.5×7.5
5.5	0.47	DB-5R5D474ST	13.5×7.5
5.5	0.47	DB-5R5D474T	21.5×8.0
5.5	1.0	DB-5R5D105T	21.5×8.0
5.5	1.5	DB-5R5D155T	21.5×8.0

Part numbering system (example : 5.5V0.1F)

DB	—	5R5	D	104	$\square$	T
Series code		Rated voltage symbol	Terminal code	Rated capacitance symbol	Additional symbol	

Part number is refer to above table.

**NOTE**

Design, Specifications are subject to change without notice.  
Ask factory for technical specifications before purchase and/or use.