

Coin Cell Capacitors

GREEN CAP

60°C

- Unlike batteries, the number of charging/ discharging cycles unlimited and rapid charging / discharging is possible.
- High reliability, Safe and unlike secondary batteries, this is pollution free devices.

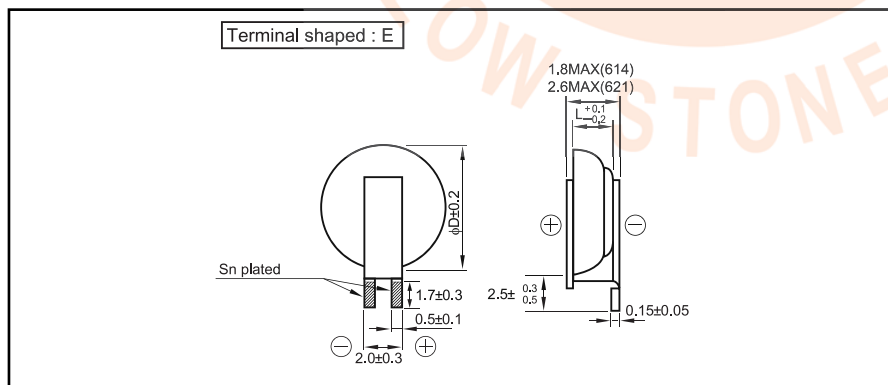


■ SPECIFICATIONS

Item	Performance	
Max. operating voltage	3.3V	
Category Temperature Range	-10°C~+60°C	
Tolerance at rated capacitance	-20%~+80%	
Internal resistance at 1 kHz	Size code	614 621
	Rated capacitance (F)	0.2 0.4
	Internal resistance (Ω)	200 200
Characteristics at high and low temperature	Size code	614 621
	Rated capacitance (F)	Within ±50% of the value at 20°C Within ±50% of the value at 20°C
	Internal resistance (Ω)	Less than five times the initial specified value Less than ten times of the value at 20°C
Endurance (60°C)	Size code	614 621
	Test time and temp	60°C 1000 hours 60°C 500 hours
	Rated capacitance (F)	Within ±30% of the initial measured value Within ±40% of the initial measured value
	Internal resistance (Ω)	2kΩ Max. 800Ω Max
Shelf life (60°C)	Same as endurance.	
Applicable standards	Conforms to JIS C5160-1 2009 (IEC 62391-1 2006)	

■ OUTLINE DRAWING

Unit : mm



Part numbering system (example : 621, 3.3V0.22F, terminal shaped : E)

DCK	—	3R3	E	224	□	—	E
Series code		Max. operating voltage symbol		Rated capacitance symbol	Additional symbol		

Part number is refer to below table.

■ STANDARD RATINGS

Max. operating voltage (V)	Rated capacitance (F)	ELNA Parts No.	φD×L (mm)
3.3	0.2	DCK-3R3E204T614-E	6.8×1.4
3.3	0.22	DCK-3R3E224U-E	6.8×2.1
3.3	0.4	DCK-3R3E404T-E	6.8×2.1