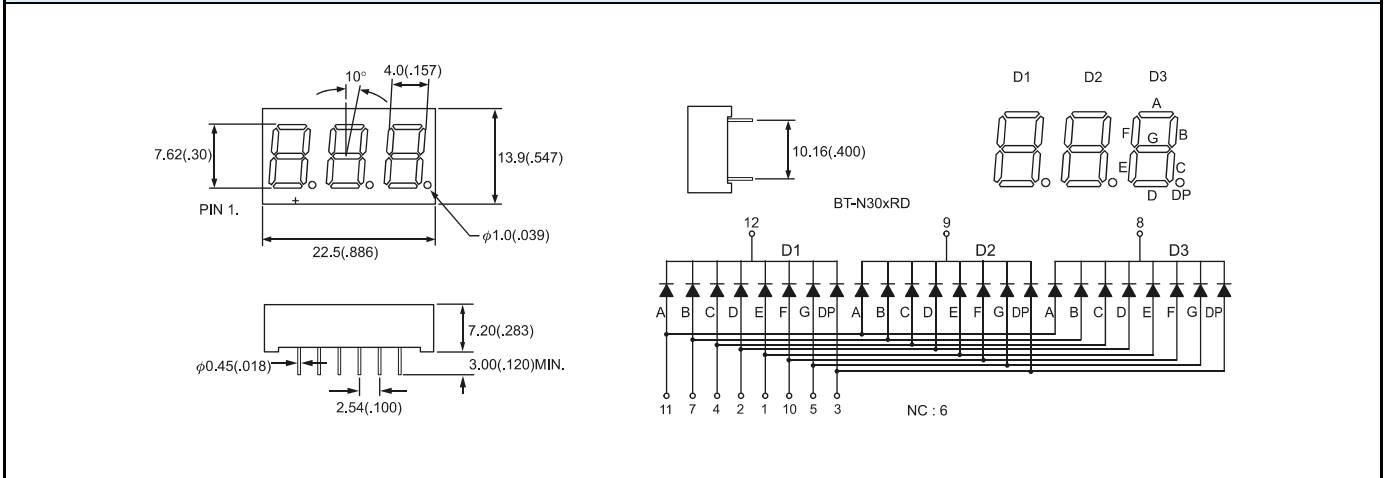


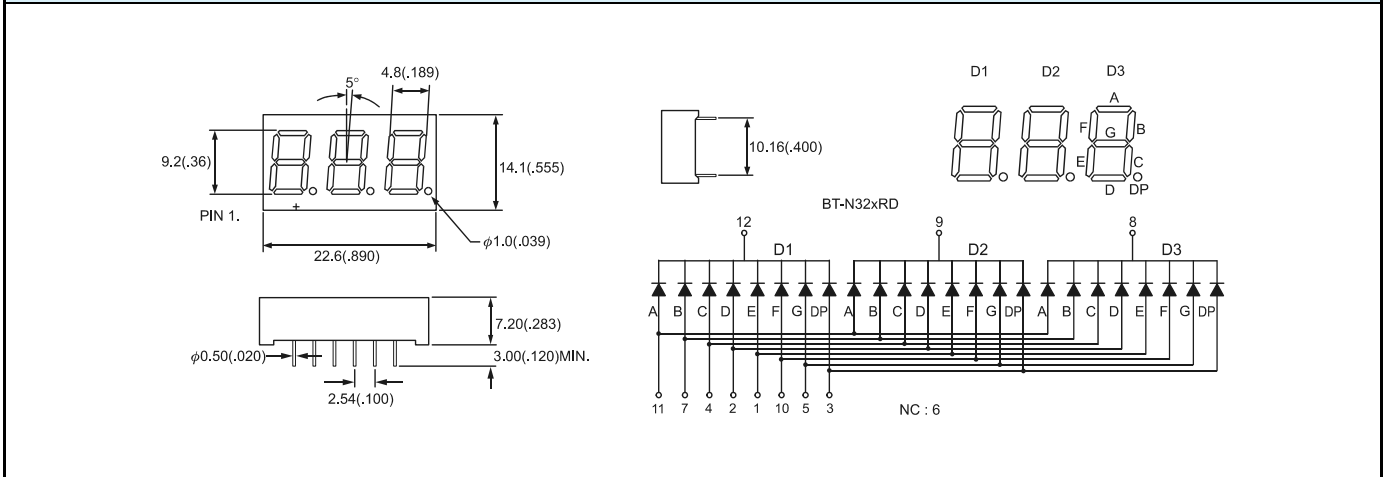
# THREE DIGIT LED DISPLAYS

Digit Size	Part No.		Chip		Absolute Maximum Ratings				Electro-optical Data (At 10mA)			Drawing No.
	Common Anode	Common Cathode	Material/Emitted Color	Peak Wave Length $\lambda$ P(nm)	$\Delta\lambda$ (nm)	Pd (mw)	If (mA)	Ifp (mA)	Vf (v)		Iv. Typ. Per. Seg. (mcd)	
									Typ.	Max.		
0.30" Three-Digit	BT-M305RD	BT-N305RD	GaP/Bright Red	700	90	40	15	50	2.2	2.5	1.2	TD-01
	BT-M302RD	BT-N302RD	GaP/ Green	568	30	80	30	150	2.2	2.5	3.0	
	BT-M303RD	BT-N303RD	GaAsP/GaP/Yellow	585	35	80	30	150	2.1	2.5	2.0	
	BT-M304RD	BT-N304RE	GaAsP/GaP/Hi-Eff.Red	635	45	80	30	150	2.0	2.5	3.0	
	BT-M306RD	BT-N306RD	GaAlAs/SH Super Red	660	20	80	30	150	1.7	2.5	6.0	
	BT-M30DRD	BT-N30DRD	GaAlAs/DH Super Red	660	20	80	30	150	1.7	2.5	7.0	
0.36" Three-Digit	BT-M325RD	BT-N325RD	GaP/Bright Red	700	90	40	15	50	2.2	2.5	1.2	TD-02
	BT-M322RD	BT-N322RD	GaP/ Green	568	30	80	30	150	2.2	2.5	3.0	
	BT-M323RD	BT-N323RD	GaAsP/GaP/Yellow	585	35	80	30	150	2.1	2.5	2.0	
	BT-M324RD	BT-N324RD	GaAsP/GaP/Hi-Eff.Red	635	45	80	30	150	2.0	2.5	3.0	
	BT-M326RD	BT-N326RD	GaAlAs/SH Super Red	660	20	80	30	150	1.7	2.5	6.0	
	BT-M32DRD	BT-N32DRD	GaAlAs/DH Super Red	660	20	80	30	150	1.7	2.5	7.0	

## TD-01 <sup>M</sup>BT-N 30xRD



## TD-02 <sup>M</sup>BT-N 32xRD



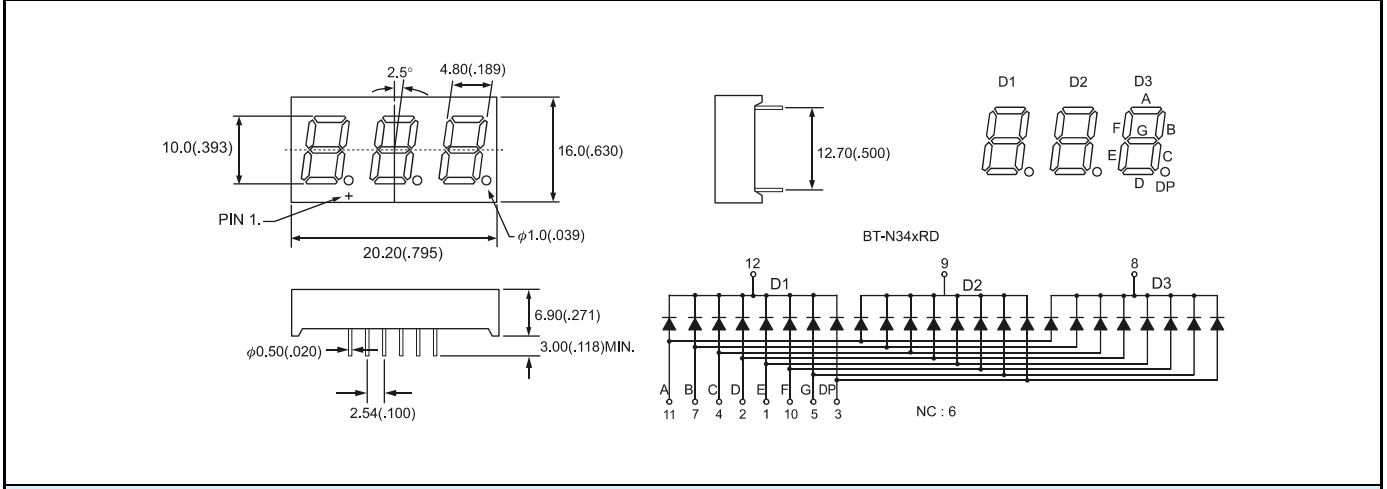
Notes: 1. All dimensions are in millimeters (inches).  
2. Tolerance is  $\pm 0.25\text{mm}$  (.010")

3. Specifications are subject to change without notice.  
4. NP: No Pin. 5. NC: No Connect

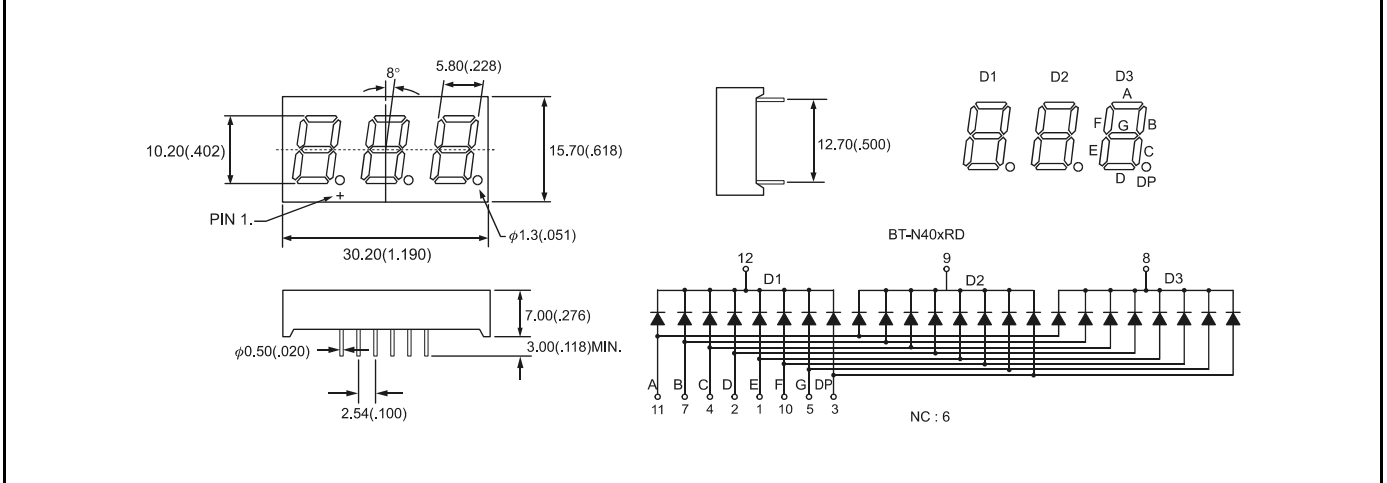
# THREE DIGIT LED DISPLAYS

Digit Size	Part No.		Chip		Absolute Maximum Ratings				Electro-optical Data (At 10mA)			Drawing No.
	Common Anode	Common Cathode	Material/Emitted Color	Peak Wave Length $\lambda$ P(nm)	$\Delta\lambda$ (nm)	Pd (mw)	If (mA)	Ifp (mA)	Vf (v)		Iv. Typ. Per. Seg. (mcd)	
									Typ.	Max.		
0.39" Three-Digit	BT-M345RD	BT-N345RD	GaP/Bright Red	700	90	40	15	50	2.2	2.5	1.2	TD-03
	BT-M342RD	BT-N342RD	GaP/ Green	568	30	80	30	150	2.2	2.5	3.0	
	BT-M343RD	BT-N343RD	GaAsP/GaP/Yellow	585	35	80	30	150	2.1	2.5	2.0	
	BT-M344RD	BT-N344RD	GaAsP/GaP/Hi-Eff.Red	635	45	80	30	150	2.0	2.5	3.0	
	BT-M346RD	BT-N346RD	GaAlAs/SH Super Red	660	20	80	30	150	1.7	2.5	6.0	
	BT-M34DRD	BT-N34DRD	GaAlAs/DH Super Red	660	20	80	30	150	1.7	2.5	7.0	
0.40" Three-Digit	BT-M405RD	BT-N405RD	GaP/Bright Red	700	90	40	15	50	2.2	2.5	1.2	TD-04
	BT-M402RD	BT-N402RD	GaP/ Green	568	30	80	30	150	2.2	2.5	3.0	
	BT-M403RD	BT-N403RD	GaAsP/GaP/Yellow	585	35	80	30	150	2.1	2.5	2.0	
	BT-M404RD	BT-N404RD	GaAsP/GaP/Hi-Eff.Red	635	45	80	30	150	2.0	2.5	3.0	
	BT-M406RD	BT-N406RD	GaAlAs/SH Super Red	660	20	80	30	150	1.7	2.5	6.0	
	BT-M40DRD	BT-N40DRD	GaAlAs/DH Super Red	660	20	80	30	150	1.7	2.5	7.0	

## TD-03 <sup>M</sup>BT-N 34xRD



## TD-04 <sup>M</sup>BT-N 40xRD



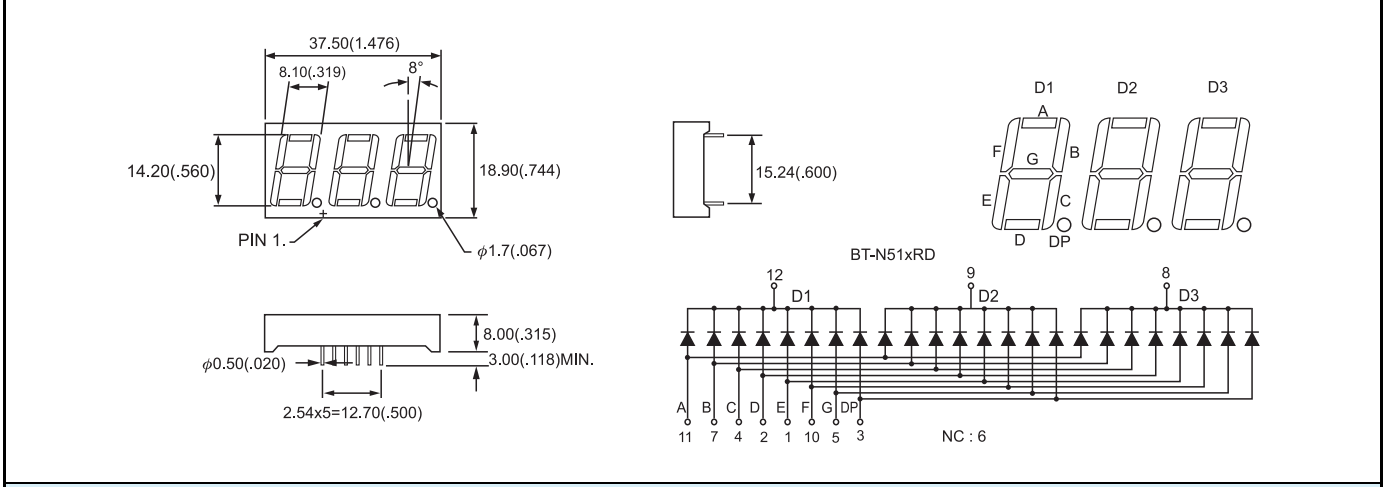
Notes: 1. All dimensions are in millimeters (inches).  
 2. Tolerance is  $\pm 0.25\text{mm}$  (.010")

3. Specifications are subject to change without notice.  
 4. NP: No Pin.  
 5. NC: No Connect

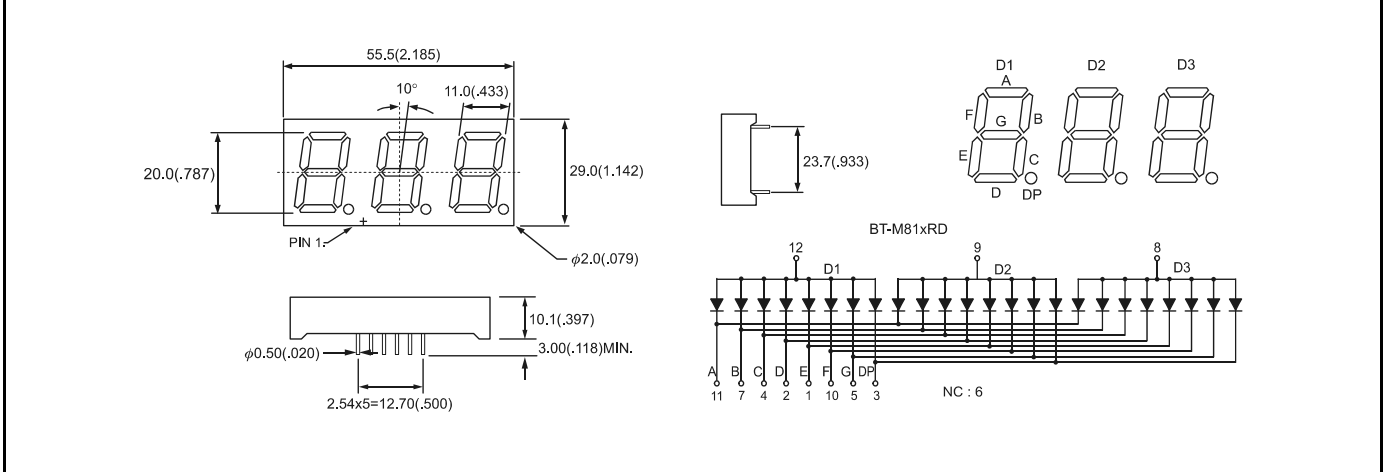
# THREE DIGIT LED DISPLAYS

Digit Size	Part No.		Chip		Absolute Maximum Ratings				Electro-optical Data (At 10mA)			Drawing No.
	Common Anode	Common Cathode	Material/Emitted Color	Peak Wave Length $\lambda_p$ (nm)	$\Delta\lambda$ (nm)	Pd (mw)	If (mA)	Ifp (mA)	Vf (v)		Iv. Typ. Per. Seg. (mcd)	
									Typ.	Max.		
0.56" Three-Digit	BT-M515RD	BT-N515RD	GaP/Bright Red	700	90	40	15	50	2.2	2.5	1.2	TD-05
	BT-M512RD	BT-N512RD	GaP/ Green	568	30	80	30	150	2.2	2.5	3.0	
	BT-M513RD	BT-N513RD	GaAsP/GaP/Yellow	585	35	80	30	150	2.1	2.5	2.0	
	BT-M514RD	BT-N514RD	GaAsP/GaP/Hi-Eff.Red	635	45	80	30	150	2.0	2.5	3.0	
	BT-M516RD	BT-N516RD	GaAlAs/SH Super Red	660	20	80	30	150	1.7	2.5	6.0	
	BT-M51DRD	BT-N51DRD	GaAlAs/DH Super Red	660	20	80	30	150	1.7	2.5	7.0	
0.80" Three-Digit	BT-M815RD	BT-N815RD	GaP/Bright Red	700	90	40	15	50	2.2	2.5	1.6	TD-06
	BT-M812RD	BT-N812RD	GaP/ Green	568	30	80	30	150	2.2	2.5	3.2	
	BT-M813RD	BT-N813RD	GaAsP/GaP/Yellow	585	35	80	30	150	2.1	2.5	2.2	
	BT-M814RD	BT-N814RD	GaAsP/GaP/Hi-Eff.Red	635	45	80	30	150	2.0	2.5	3.2	
	BT-M816RD	BT-N816RD	GaAlAs/SH Super Red	660	20	80	30	150	1.7	2.5	7.5	
	BT-M81DRD	BT-N81DRD	GaAlAs/DH Super Red	660	20	80	30	150	1.7	2.5	12.5	

## TD-05 BT-N<sup>M</sup>51xRD



## TD-06 BT-N<sup>M</sup>81xRD



Notes: 1. All dimensions are in millimeters (inches).  
 2. Tolerance is  $\pm 0.25\text{mm}$  (.010")

3. Specifications are subject to change without notice.  
 4. NP: No Pin. 5. NC: No Connect